



# HempTrain™

## Advanced Processing Plant

### OPTIMA CLASS – NEXT GENERATION!

REALIZING NEW TECHNOLOGICAL EFFICIENCIES, AND FOLLOWING MARKET REQUESTS, CGT ENGINEERED HEMPTRAIN™ INTO TWO MAIN MODELS WITH OPTIONS.

**SAVINGS OF 20-55% OVER ORIGINAL CONFIGURATION!!!**

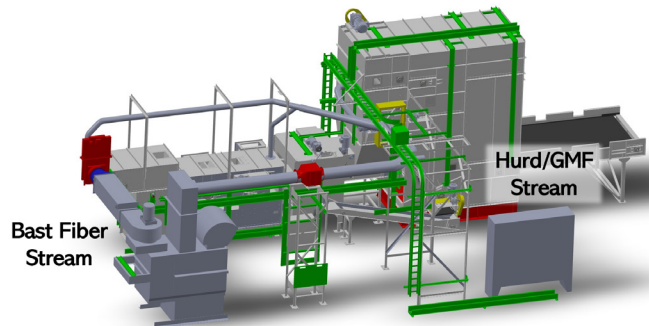
#### MODEL: HT-PF (Premium Fiber)

This model is for mass-processing of hemp straw-bales into premium bast fiber.

**USD\$690,000\***

##### Includes:

- HempTrain™ Bale Opener / Processor:  
*Patented, unique, universal (for round or square bales), non-destructive hemp bale processor for mass processing of DENSE hemp bales towards production of premium, long bast fiber;*
- Premium Fiber Decorticator:  
*Patented, high kinematics hemp plant separator for mass production of premium, long bast fiber for textile, construction, composites, cordage and other applications requiring long, high tensile strength fiber.*
- Electrical / Electronic Control Unit (60 kVA)
- Industrial Dust Control & Collection



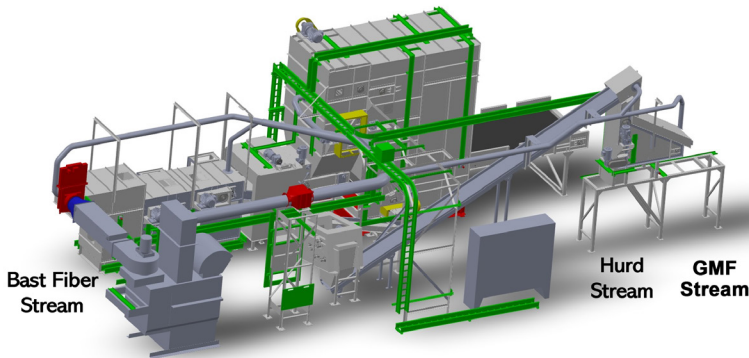
#### MODEL: HT-UF (Universal Production Facility)

This model is for mass-processing hemp straw-bales into three premium product streams: bast fiber, hurd, and green microfiber (GMF).

**USD\$950,000\***

##### Includes:

- HempTrain™ Bale Opener / Processor:  
*Patented, unique, universal (for round or square bales), non-destructive hemp bale processor for mass processing of DENSE hemp bales towards production of premium, long bast fiber;*
- Premium Fiber Decorticator:  
*Patented, high kinematics hemp plant separator for mass production of premium, long fiber for textile, construction and composites.*
- Hurd / Green Microfiber Separator-Refiner  
*Hurd / Green Microfiber Sub-Train  
Hurd / Green Microfiber Stream Refiner  
Hurd / Green Microfiber Stream Separator*
- Electrical / Electronic Control Unit (70 kVA)
- Industrial Dust Control & Collection



#### OPTIONS & ADDITIONAL MACHINERY

##### 1) UPGRADE (post-sale) from Model-PF to Model-UF

**USD\$320,000\***

##### Includes:

- Hurd / Green Microfiber Sub-Train
- Hurd / Green Microfiber Stream Refiner
- Hurd / Green Microfiber Stream Separator
- Electric / Electronic Control System Upgrade

##### 2) OPTIONAL ADDITIONS (must be selected at the time of the

HempTrain™ purchase or at the time of Option 1 UPGRADE above):

- a) Fiber Cleaner (to be attached as extension to the bast fiber output)

**USD\$95,000\***

- b) Hurd Refiner-Sizer (available only for Model- UF) - (patented, world-wide unique processor for production of specified size / uniformity, clean hurd for multitude of applications ranging from pet care to food preservation to construction).

**USD\$125,000\***

- c) Explosion Protection Controlled (EPC) Dust Control Unit

**USD\$125,000\***

- d) Additives Dispenser for Hurd Stream (available only for Model- UF)

**USD\$65,000\***

##### 3) ADDITIONAL MACHINERY (can be ordered any time)

- a) Hurd Products Compression Bagger (Model CGT-Hurd Bagger)

**USD\$195,000\***

- b) Fiber Products Compression Baler (Model CGT-Fiber Baler)

**USD\$45,000\***